



FEED AND BIOFUEL

**HIGH QUALITY COATING  
FOR INCREASED  
PERFORMANCE**

SHANGHAI DRUM COATER TYPE SCOT AND SRFC

**ANDRITZ**

ENGINEERED SUCCESS

# High quality coating for increased performance

The ANDRITZ drum coaters, type SCOT and SRFC, both enable high quality surface coating of dietary and palatability liquids to support nutritional requirements and feed conversion.

## DRUM COATER

The ANDRITZ drum coater applies oils, fats and other nutrient additives to pellets and extruded feed by spraying the surface of the finished pellets, making them more palatable, improving feed conversion ratios, and ultimately growth rates. This specialized coating technology offers controlled atomization and precise volume control for achieving different feed formulations to meet a variety of nutritional needs.

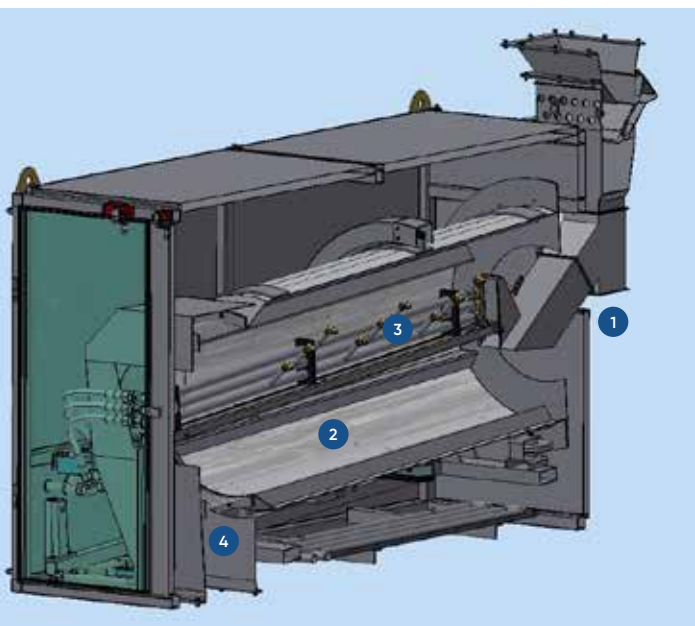
## MAIN FEATURES

- Oil addition ranging from 1% to 7%
- Oil addition volume can be controlled in real-time
- The SCOT Series coater is a heat reservation device with a drum housing and oil spraying pipes that are workable for low temperature environments.
- The SRFC Series coater uses easy to maintain; negative pressure blow pipe nozzles, located in the front of the drum, to reduce leakage of oil mist.

SCOT Drum Coater

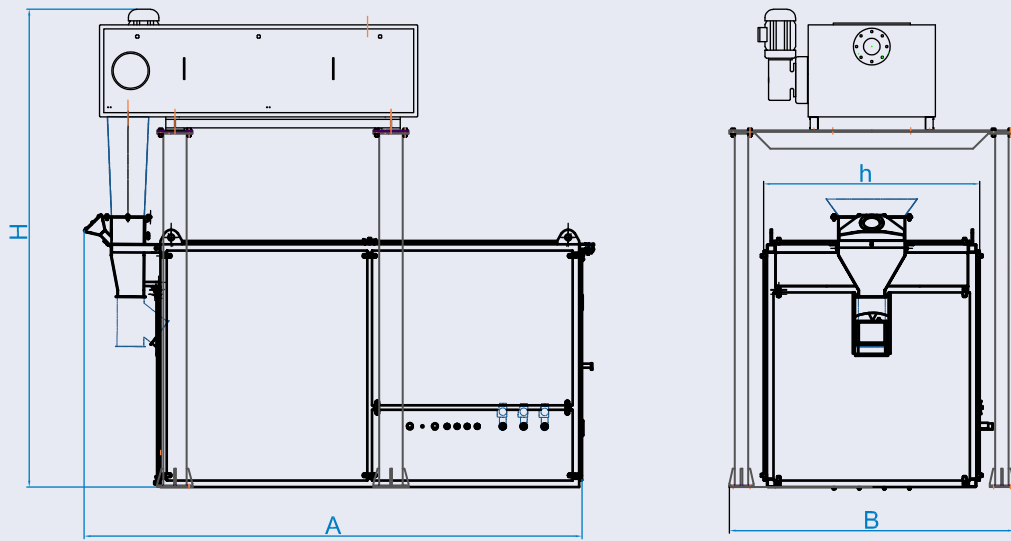


SRFC Drum Coater

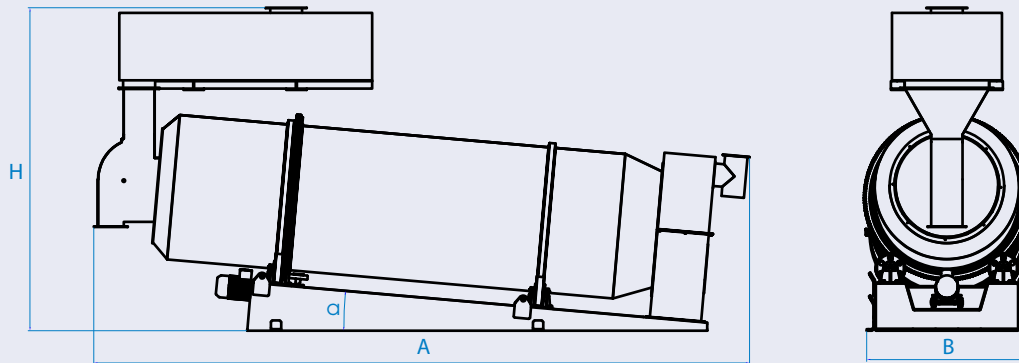


Pellets continuously enter the slanting drum **2** via the inlet **1**. Incoming pellets are rolling as the drum turns, thus forming a wave of pellets at the inner wall. Each particle makes contact with the spray mist from the nozzles **3** when it's falling over. Pellets contact spray mist to its maximal extent as they roll towards the outlet **4** so as to be fully soaked by liquids.

SCOT Drum Coater



SRFC Drum Coater



## DIMENSION SIZE

Model	H	A	B	h	α
SCOT15	2850	2970	1700	1290	
SCOT25	3150	3900	1950	1540	
SRFC10	2910	5080	1710		5°
SRFC20	3130	6380	1790		5°

## TECHNICAL DATA

Model	Main motor power kW	Weigh Kg	Capacity(T) DENSITY = 0.35
SCOT15	1.10	1050.00	7-8
SCOT25	2.20	1780.00	11-13
SRFC10	3.00	3500.00	8-10
SRFC20	5.50	4500.00	15-20



## GLOBAL SUPPLIER – LOCAL PRESENCE

With sales, service, engineering, manufacturing and production sites located all around the world, ANDRITZ Feed and Biofuel is truly a global organization with a local presence. ANDRITZ is vital to ensuring a reliable global supply of aqua feed, animal feed, pet food, and biofuel. With full process lines accounting for half the world's production of aqua feed and biomass alone, we continuously support leading producers in achieving the highest levels in safety, quality, and control from feedstock to final product.

How can we help grow your business?

### ANDRITZ Feed and Biofuel A/S

Glentevej 5-7  
6705 Esbjerg, Denmark  
p: +45 72 160 300  
andritz-fb.dk@andritz.com

### ANDRITZ (Shanghai) Equipment & Engineering Co., LTD

No.2288, Rongle East Road, Songjiang,  
201613, Shanghai, P.R.China  
p: +86 21 57745781  
andritz-fb.cn@andritz.com

### AUSTRALIA

p: +61 3 8773 4888  
andritz-fb.au@andritz.com

### CHINA

p: +86 21 5774 5781  
andritz-fb.cn@andritz.com

### INDIA

p: +91 87544 15287  
andritz-fb.india@andritz.com

### SOUTH AFRICA

p: +27 82 781 0808  
andritz-fb.za@andritz.com

### BANGLADESH

p: +88 (02) 9844800  
andritz-fb.bd@andritz.com

### COLOMBIA

p: +57 (1) 744 8200  
andritz-fb.co@andritz.com

### ITALY

p: +39 (0445) 575 695  
andritz-fb.it@andritz.com

### TURKEY

p: +90 232 570 38 00  
andritz-fb.tr@andritz.com

### BRAZIL

p: +55 47 3387 9146  
andritz-fb.br@andritz.com

### DUBAI

p: +971 4 299 5555  
andritz-fb.uae@andritz.com

### MEXICO

p: +52 443 323 1530 ext 364  
andritz-fb.mx@andritz.com

### UK

p: +44 1482 825119  
andritz-fb.uk@andritz.com

### CANADA

p: +1 519 676 7057  
anbosales@andritz.com

### FRANCE

p: +33 24 75 06 364  
andritz-fb.fr@andritz.com

### NETHERLANDS

p: +31 40 2627777  
andritz-fb.nl@andritz.com

### USA

p: +1 570 546 1253  
andritz-fb.us@andritz.com

### CHILE

p: +56 2 24624608  
andritz-fb.cl@andritz.com

### GERMANY

p: +49 2104 9197 0  
andritz-fb.de@andritz.com

### POLAND

p: +48 60 906 1037  
andritz-fb.pl@andritz.com

### VIETNAM

p: +84 8 6253 9434  
andritz-fb.vi@andritz.com

**ANDRITZ.COM/FT**



All data, information, statements, photographs and graphic illustrations in this leaflet are without any obligation and raise no liabilities to or form part of any sales contracts of ANDRITZ AG or any affiliates for equipment and/or systems referred to herein. © ANDRITZ AG 2019. All rights reserved. No part of this copyrighted work may be reproduced, modified or distributed in any form or by any means, or stored in any database or retrieval system, without the prior written permission of ANDRITZ AG or its affiliates. Any such unauthorized use for any purpose is a violation of the relevant copyright laws. ANDRITZ AG, Stattegger Strasse 18, 8045 Graz, Austria.



3007 GB